



ANSI/ASSP Z359.14-2021 (Class 2)
OSHA 29 CFR 1910.140
OSHA 29 CFR 1926.502

**3M™ DBI-SALA®
SELF-RETRACTING DEVICES**

**USER INSTRUCTIONS
5908149 REV. A**

Fall Protection

☑ For identification of product codes, refer to Table 1. See "Table 1 - Product Specifications" for more product information.

Figure 1 - Product Overview

Model		Connectors		Housing Size	Lifeline	Extended Length (X)	Working Length (WL)
		A	B				
3500287	②	C1	C2	Size A	GS1 (KW1)	8.5 ft. (2.6 m)	4.2 ft. (1.3 m)
3500297	①	C1	C2	Size A	GS1 (KW1)	8.5 ft. (2.6 m)	4.2 ft. (1.3 m)

EN SAFETY INFORMATION

Please read, understand, and follow all safety information contained in these instructions, prior to the use of this product. FAILURE TO DO SO COULD RESULT IN SERIOUS INJURY OR DEATH.

These instructions must be provided to the user of the equipment. Retain these instructions for future reference.

Intended Use:

This product is used as part of a complete Fall Protection system.

Use in any other application including, but not limited to, material handling, recreational or sports-related activities, or other activities not described in these instructions, is not approved by 3M and could result in serious injury or death.

This product is only to be used by trained users in workplace applications.

WARNING

This product is used as part of a complete Fall Protection system. All users must be fully trained in the safe installation and operation of their complete Fall Protection system. **Misuse of this product could result in serious injury or death.** For proper selection, operation, installation, maintenance, and service, refer to all instruction manuals and manufacturer recommendations. For more information, see your supervisor or contact 3M Technical Services.

- **To reduce the risks associated with using a Self-Retracting Device which, if not avoided, could result in serious injury or death:**
 - Inspect the product before each use and after any fall event, in accordance with the procedures specified in these instructions.
 - If inspection reveals an unsafe or defective condition, remove the product from service immediately and clearly tag it "DO NOT USE". Destroy or repair the product as required by these instructions.
 - Any product that has been subject to fall arrest or impact force must be immediately removed from service. Destroy or repair the product as required by these instructions.
 - Ensure that Fall Protection systems assembled from components made by different manufacturers are compatible and meet all applicable Fall Protection regulations, standards, or requirements. Always consult a Competent or Qualified Person before using these systems.
 - Ensure the product is kept free from all hazards including, but not limited to: entanglement with users, other workers, moving machinery, other surrounding objects, or impact from overhead objects that could fall onto the product or users.
 - Do not twist, tie, knot, or allow slack in the lifeline.
 - Avoid trip hazards with legs of the lifeline. Attach any unused lifeline legs to the lanyard parking elements on your full body harness, if present.
 - Do not exceed the number of allowable users specified in these instructions.
 - Do not use in applications that have an obstructed fall path. A clear path is required to lock the SRD. Working on slowly shifting materials (e.g. sand or grain), or within confined spaces or limited spaces, may not allow the worker to reach sufficient speed to lock the SRD.
 - Avoid sudden or quick movements during work operation because this may cause the SRD to unintentionally lock.
 - Use caution when installing, using, or moving the product as moving parts may create pinch points.
 - Use appropriate edge protection when the product may contact sharp edges or abrasive surfaces.
 - Ensure the product is configured and installed properly for safe operation as described in these instructions.

- **To reduce the risks associated with working at height which, if not avoided, could result in serious injury or death:**
 - Your health and physical condition must allow you to safely work at height and to withstand all forces associated with a fall arrest event. Consult your doctor if you have questions regarding your ability to use this equipment.
 - Never exceed allowable capacity of your Fall Protection equipment.
 - Never exceed the maximum free fall distance specified for your Fall Protection equipment.
 - Do not use any Fall Protection equipment that fails inspection, or if you have concerns about the use or suitability of the equipment. Contact 3M Technical Services with any questions.
 - Some subsystem and component combinations may interfere with the operation of this equipment. Only use compatible connections. Contact 3M Technical Services before using this equipment in combination with components or subsystems other than those described in these instructions.
 - Use extra precautions when working around moving machinery, electrical hazards, extreme temperatures, chemical hazards, explosive or toxic gases, sharp edges, abrasive surfaces, or below overhead materials that could fall onto you or your Fall Protection equipment.
 - Ensure use of your product is rated for the hazards present in your work environment.
 - Ensure there is sufficient fall clearance when working at height.
 - Never modify or alter your Fall Protection equipment. Only 3M, or persons authorized in writing by 3M, may make repairs to 3M equipment.
 - Before using Fall Protection equipment, ensure a written rescue plan is in place to provide prompt rescue if a fall incident occurs.
 - If a fall incident occurs, immediately seek medical attention for the fallen worker.
 - Only use a full body harness for Fall Arrest applications. Do not use a body belt.
 - Minimize swing falls by working as directly below the anchorage point as possible.
 - A secondary Fall Protection system must be used when training with this product. Trainees must not be exposed to an unintended fall hazard.
 - Always wear appropriate Personal Protective Equipment when installing, using, or inspecting the product.
 - Never work below a suspended load or worker.
 - Always maintain 100% tie-off.

☑ Always ensure you are using the latest revision of your 3M instruction manual. Visit www.3m.com/userinstructions or contact 3M Technical Services for updated instruction manuals.

PRODUCT OVERVIEW:

Figure 1 illustrates the product models covered by this instruction. Self-Retracting Devices (SRDs) are drum-wound lifelines that retract into solid housings.

The following SRD types are covered by this instruction:

- **Class 2 Self-Retracting Device with Leading Edge (Figures 1.1, 1.2, 2.1, 2.2):** Class 2 Self-Retracting Devices with Leading Edge (SRD-LEs) are suitable for applications where the lifeline remains generally horizontal during use. SRD-LEs have an integral energy absorber to withstand impact loading of the lifeline over a sharp or abrasive edge during fall arrest and minimize fall arrest forces on the user. This type may be used for Fall Arrest or Restraint applications.

Figure 2 identifies key components of the available SRD models. In a standard SRD, the Lifeline (A) extends and retracts from within the Housing (B). The Top Connector (D) secures the SRD to its mounting point and is connected to the SRD by means of the Swivel Eye (E). The Bottom Connector (C) is secured at the end of the Lifeline. Depending on system configuration, the Bottom Connector will attach to either the designated attachment element of the user's full body harness or to the system's anchorage point. Energy Absorbers (F) dissipate kinetic energy and limit deceleration forces during fall arrest. The Tie-Back Leg (G) is a portion of the lifeline reserved for tie-back connections.

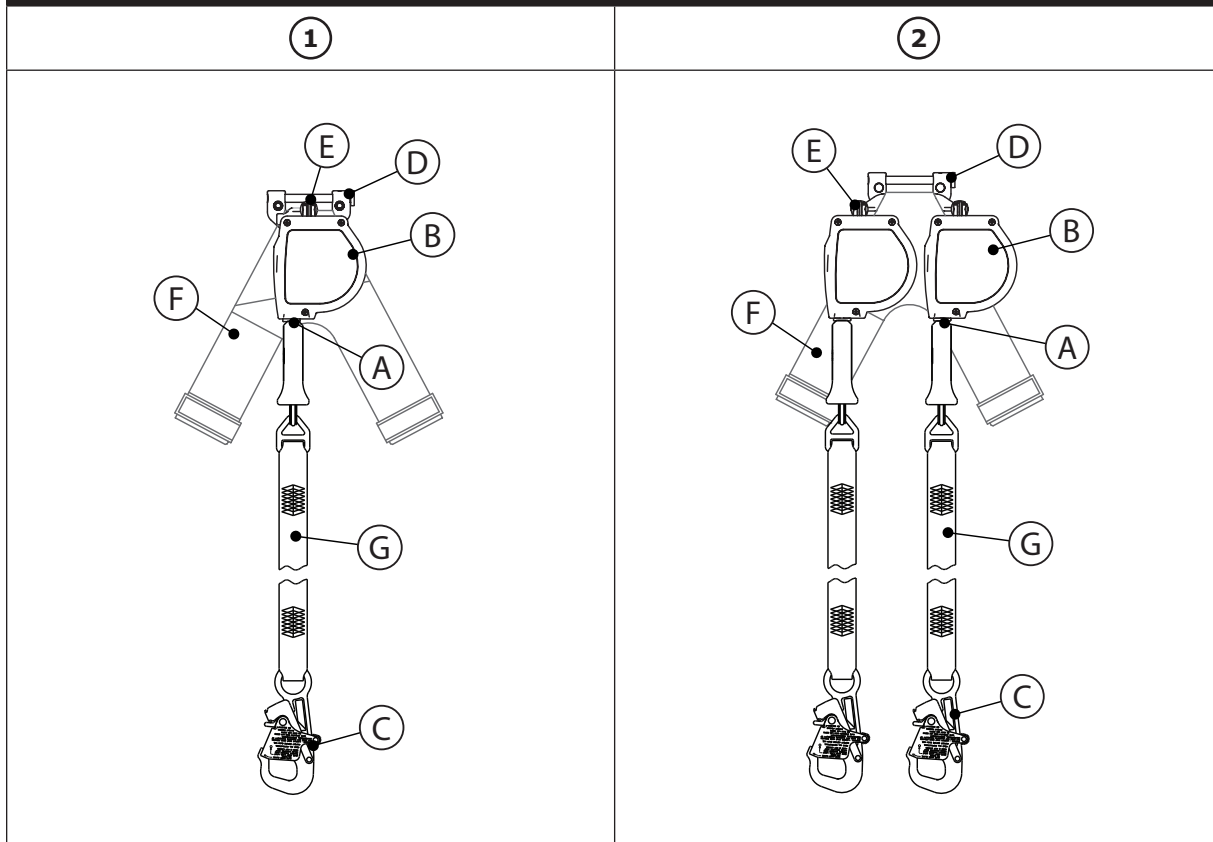
SRD models are available in single-SRD and twin-SRD configurations. Twin-SRD models include a single Top Connector (D) to be shared between the two SRDs. These connectors are designed to interface with harnesses so that the Twin-SRD model may be worn on the user's back. Twin-SRD models may be used to maintain 100-percent tie-off when transferring between anchorage points.

Each product model has its own particular size and its own combination of components as listed in Figure 1. See Table 1 for more information on Component Specifications.

Certain product models in this instruction include additional features or functionality. See Figure 1 for identification of these models.

- **Tie-Back:** "Tie-Back" models include connectors and webbing that allow the product to wrap around an anchorage structure. See Sections 3 and 4 for more information.

Figure 2 - Components



Before using this equipment, record the product identification information from the ID label in the 'Inspection and Maintenance Log' at the back of this manual.

Table 1 – Product Specifications

System Specifications:

Anchorage:	Anchorage structure requirements vary with the system application and whether it is a certified anchorage or non-certified anchorage. The anchorage structure must sustain static loads applied in the directions permitted by the anchorage connector.			
	System Application	Certified Anchorage	Non-Certified Anchorage	Defined by
	Fall Arrest	2 times maximum arresting force	5,000 lbf (22.2 kN)	ANSI Z359 OSHA 29 CFR 1910.140, 1926.502
	Restraint	2 times foreseeable force	1,000 lbf (4.4 kN)	ANSI Z359
			5,000 lbf (22.2 kN)	OSHA 29 CFR 1910.140, 1926.502
Work Positioning	2 times foreseeable force	3,000 lbf (13.3 kN)	ANSI Z359 OSHA 29 CFR 1910.140, 1926.502	
Rescue	5 times applied load	3,000 lbf (13.3 kN)	ANSI Z359	
When more than one system is attached to an anchorage, the strengths stated above must be multiplied by the number of systems attached to the anchorage. See ANSI/ASSP Z359.2 for more information.				
<input checked="" type="checkbox"/> Anchorage must be approved by a Qualified Person.				
Service Temperature:	-40°F to 130°F (-40°C to 54.4°C)			
Standards:	Each product model is certified to, or conforms with, the applicable standards and regulations listed within Figure 1. If none are specified, then all standards and regulations listed on the cover apply.			
Capacity:	See the performance tables for product capacity. The listed capacities apply to use of the product in all compatible applications, unless otherwise stated. This product is for use by one user with a combined weight (including clothing, tools, etc.) within the applicable capacity range.			

Component Specifications:

Figure 2 Reference	Component	Materials
(A)	Lifeline	(see Lifeline Specifications)
(B)	Housing	Nylon
(C)	Bottom Connector	(see Connector Specifications)
(D)	Top Connector	(see Connector Specifications)
(E)	Swivel Eye	Zinc-plated steel
(F)	Energy Absorber	Nylon cover with Vectran lifeline
(G)	Tie-Back Leg	(see Lifeline Specifications)

Internal Components: Internal SRD components are made from a combination of Stainless Steel, Steel, and Aluminum.

Connector Specifications:

Figure 1 Reference	Model Number	Description	Material	Gate Opening	Gate Strength	Tensile Strength
C1	9513488	Harness interface	Stainless steel and aluminum	2.13 in. (54 mm)	3,600 lbf (16 kN)	3,600 lbf (16 kN)
C2	9501804	Tie-back snap hook	Zinc-plated steel	3/4 in. (19 mm)	5,000 lbf (22.2 kN)	5,000 lbf (22.2 kN)

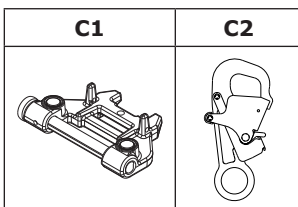


Table 1 – Product Specifications

Lifeline Specifications:	
Figure 1 Reference	Description
GS1	3/16-in. (4.77 mm) galvanized steel cable
KW1	1.25 in. (31.7 mm) Kevlar Dyneema webbing [0.145 in. (3.6 mm) thick]

Performance - SRD-LEs (Single SRD Models)	ANSI Z359.14-2021		OSHA 29 CFR 1910.140, 1926.502	
	Capacity Range:	130 lb. - 220 lb. (59 kg - 100 kg)	221 lb. - 310 lb. (101 kg - 140 kg)	130 lb. - 310 lb. (59 kg - 140 kg)
Maximum Arresting Force:	1,350 lbf (6 kN)	1,350 lbf (6 kN)	1,350 lbf (6 kN)	1,800 lbf (8 kN)
Average Arresting Force:	900 lbf (4 kN)	900 lbf (4 kN)	900 lbf (4 kN)	N/A
Maximum Arrest Distance: <i>*Assumes the SRD is mounted directly above the user.</i>	42 in. (1.07 m)	42 in. (1.07 m)	42 in. (1.07 m)	48 in. (1.2 m)
Maximum Deceleration Distance: <i>*Assumes the SRD is mounted directly above the user.</i>	---	---	42 in. (1.07 m)	42 in. (1.07 m)
Minimum Fall Clearance Required:	Vertical: 6 ft.(1.8 m) Horizontal: 13.0 ft. (4.0 m)	Vertical: 7 ft. (2.1 m) Horizontal: 14.5 ft. (4.4 m)	Vertical: 7 ft. (2.1 m)	Vertical: 8 ft. (2.4 m)
Maximum Free Fall: <i>*SRD must be mounted above user's D-ring.</i>	5 ft. (1.5 m)	5 ft. (1.5 m)	2 ft. (0.6 m)	2 ft. (0.6 m)
Maximum Free Fall - LE: <i>*Measured from user's D-ring to working surface.</i>	5 ft. (1.5 m)	5 ft. (1.5 m)	Not available for use in this format.	Not available for use in this format.

Performance - SRD-LEs (Twin SRD Models)	ANSI Z359.14-2021		OSHA 29 CFR 1910.140, 1926.502	
	Capacity Range:	130 lb. - 220 lb. (59 kg - 100 kg)	221 lb. - 310 lb. (101 kg - 140 kg)	130 lb. - 310 lb. (59 kg - 140 kg)
Maximum Arresting Force:	1,425 lbf (6.3 kN)	1,425 lbf (6.3 kN)	1,350 lbf (6 kN)	1,800 lbf (8 kN)
Average Arresting Force:	900 lbf (4 kN)	900 lbf (4 kN)	900 lbf (4 kN)	N/A
Maximum Arrest Distance: <i>*Assumes the SRD is mounted directly above the user.</i>	42 in. (1.07 m)	42 in. (1.07 m)	42 in. (1.07 m)	48 in. (1.2 m)
Maximum Deceleration Distance: <i>*Assumes the SRD is mounted directly above the user.</i>	---	---	42 in. (1.07 m)	42 in. (1.07 m)
Minimum Fall Clearance Required:	Vertical: 6 ft.(1.8 m) Horizontal: 13.5 ft. (4.1 m)	Vertical: 7 ft. (2.1 m) Horizontal: 15 ft. (4.6 m)	Vertical: 7 ft. (2.1 m)	Vertical: 8 ft. (2.4 m)
Maximum Free Fall: <i>*SRD must be mounted above user's D-ring.</i>	5 ft. (1.5 m)	5 ft. (1.5 m)	2 ft. (0.6 m)	2 ft. (0.6 m)
Maximum Free Fall - LE: <i>*Measured from user's D-ring to working surface.</i>	5 ft. (1.5 m)	5 ft. (1.5 m)	Not available for use in this format.	Not available for use in this format.

Dimensions:				
Figure 1 Reference	D	W	R	
Size A	3.35 in. (8.51 cm)	11.14 in. (28.30 cm)	50.0 in. (127.0 cm)	

1.0 PRODUCT APPLICATION

- 1.1 PURPOSE:** 3M Self-Retracting Devices (SRDs) are designed for use as a connecting subsystem in a Fall Protection system. Once anchored, the lifeline extends and retracts automatically as the worker moves. If a fall occurs, a sensing mechanism activates the device and arrests the fall. For more information on system applications, refer to the "Product Overview" and Table 1.
- 1.2 SUPERVISION:** Use of this equipment must be supervised by a Competent Person.
- 1.3 STANDARDS:** Your product conforms to the national or regional standards identified on the front cover of these instructions. If this product is resold outside the original country of destination, the re-seller must provide these instructions in the language of the country in which the product will be used.

For more information on certification or conformance requirements, refer to the applicable standards and regulations listed for your product (e.g. the ANSI/ASSP Z359 Fall Protection codes).

- 1.4 TRAINING:** This equipment must be installed and used by persons trained in its correct application. These instructions are to be used as part of an employee training program as required by national, regional, or local standards. It is the responsibility of the users and installers of this equipment to ensure they are familiar with these instructions, trained in the correct care and use of this equipment, and are aware of the operating characteristics, application limitations, and consequences of improper use of this equipment.
- 1.5 RESCUE PLAN:** When using this equipment and connecting subsystems, the employer must have a written rescue plan and the means to implement and communicate that plan to users, authorized persons, and rescuers. A trained, on-site rescue team is recommended. Team members should be provided with the equipment and techniques necessary to perform a successful rescue. Training should be provided on a periodic basis to ensure rescuer proficiency. Rescuers should be provided with these instructions. There should be visual contact or means of communication with the person being rescued at all times during the rescue process.

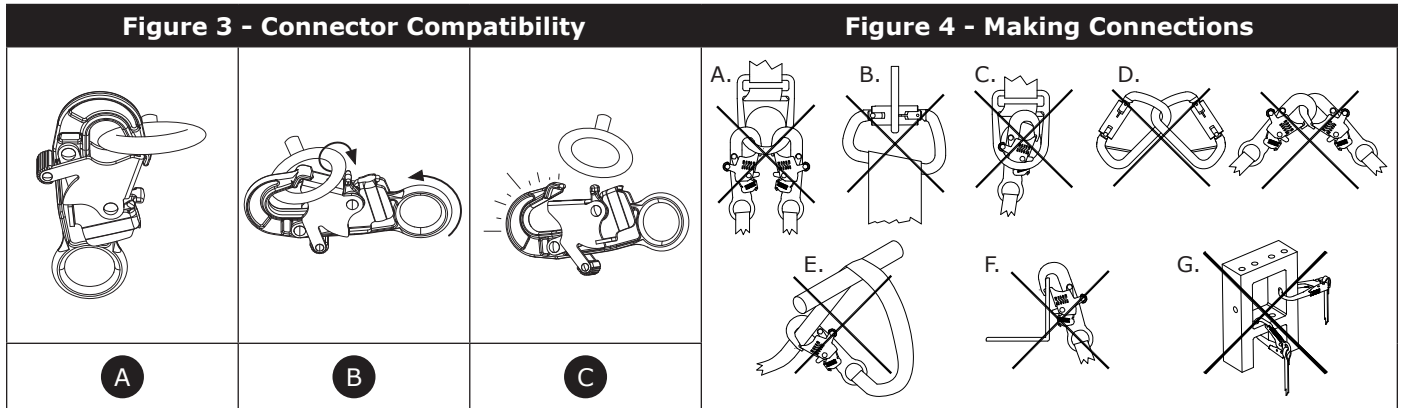
2.0 SYSTEM REQUIREMENTS

- 2.1 ANCHORAGE:** Anchorage requirements vary with the Fall Protection application. The mounting structure on which the equipment is placed must meet the Anchorage specifications defined in Table 1.
- 2.2 CAPACITY:** The user capacity of a complete Fall Protection system is limited by its lowest rated maximum capacity component. For example, if your connecting subsystem has a capacity that is less than your harness, you must comply with the capacity requirements of your connecting subsystem. See the manufacturer instructions for each component of your system for capacity requirements.
- 2.3 ENVIRONMENTAL HAZARDS:** Use of this equipment in areas with environmental hazards may require additional precautions to prevent injury to the user or damage to the equipment. Hazards may include, but are not limited to: high heat, chemicals, corrosive environments, high voltage power lines, explosive or toxic gases, moving machinery, sharp edges, or overhead materials that may fall and contact the user or equipment. Contact 3M Technical Services for further clarification.
- 2.4 LIFELINE HAZARDS:** Ensure the lifeline is kept free from all hazards including, but not limited to: entanglement with users, other workers, moving machinery, other surrounding objects, or impact from overhead objects that could fall onto the lifeline or users.
- 2.5 FALL PATH AND SRD LOCKING SPEED:** Do not use in applications that have an obstructed fall path. A clear path is required to lock the SRD. Working on slowly shifting materials (e.g. sand or grain), or within limited spaces, may not allow the worker to reach sufficient speed to lock the SRD.
- 2.6 COMPONENT COMPATIBILITY:** 3M equipment is designed for use with 3M equipment. Use with non-3M equipment must be approved by a Competent Person. Substitutions made with non-approved equipment may jeopardize equipment compatibility and may affect the safety and reliability of your Fall Protection system. Read and follow all instructions and warnings for all equipment prior to use.
- 2.7 CONNECTOR COMPATIBILITY:** Connectors are compatible with connecting elements when the size and shape of either component does not cause the connector to inadvertently open, regardless of orientation. Connectors must comply with applicable standards. Connectors must be fully closed and locked during use.

3M Connectors (snap hooks and carabiners) are designed to be used only as specified in each instruction manual. Ensure connectors are compatible with the system components to which they are connected. Do not use equipment that is non-compatible. Use of non-compatible components may cause the connector to unintentionally disengage (see Figure 3). If the connecting element to which a connector attaches is undersized or irregular in shape, a situation could occur where the connecting element applies a force to the gate of the connector (A). This force could then cause the gate to open (B), disengaging the connector from the connecting element (C).

2.8 MAKING CONNECTIONS: All connections must be compatible in size, shape, and strength. See Figure 4 for examples of inappropriate connections. Do not attach connectors:

- A. To a D-Ring to which another connector is attached.
- B. In a manner that would result in a load on the gate. Large-throat snap hooks should not be connected to D-Rings or other connecting elements, unless the snap hook has a gate strength of 16 kN (3,600 lbf) or greater.
- C. In a false engagement, where size or shape of the connector or connecting element is not compatible and, without visual confirmation, would seem to be fully engaged.
- D. To each other.
- E. Directly to harness webbing, lanyard leg material, or tie-back material unless such a connection is explicitly allowed for by the manufacturer instructions.
- F. To any object whose size or shape does not allow the connector to fully close and lock, or that could cause connector roll-out.
- G. In a manner that does not allow the connector to align properly while under load.



3.0 INSTALLATION

3.1 OVERVIEW: Installing this product requires effective planning and knowledge of fall clearance requirements. In the event of a fall, there must be enough fall clearance present to safely arrest the user.

3.2 PLANNING: Plan your Fall Protection system before starting your work. Account for all factors that may affect your safety before, during, and after a fall. Consider all requirements and limitations specified in these instructions.

A. SHARP EDGES: Avoid working where system components may be in contact with, or scrape against, unprotected sharp edges and abrasive surfaces. All sharp edges and abrasive surfaces should be covered with protective material.

Only SRD-LEs may be used for applications with unprotected sharp edges or abrasive surfaces.

Only the cable portion of the lifeline may be exposed to an edge. Never allow the edge to contact any webbing.

3.3 FALL CLEARANCE: It is critical that the user is aware of fall clearance and its requirements before using this product.

A. DEFINITION: Fall clearance is the measure of distance between a user and the next obstruction below them. Before use of this product, the user should determine how much fall clearance is required to prevent them from striking an obstruction should they fall.

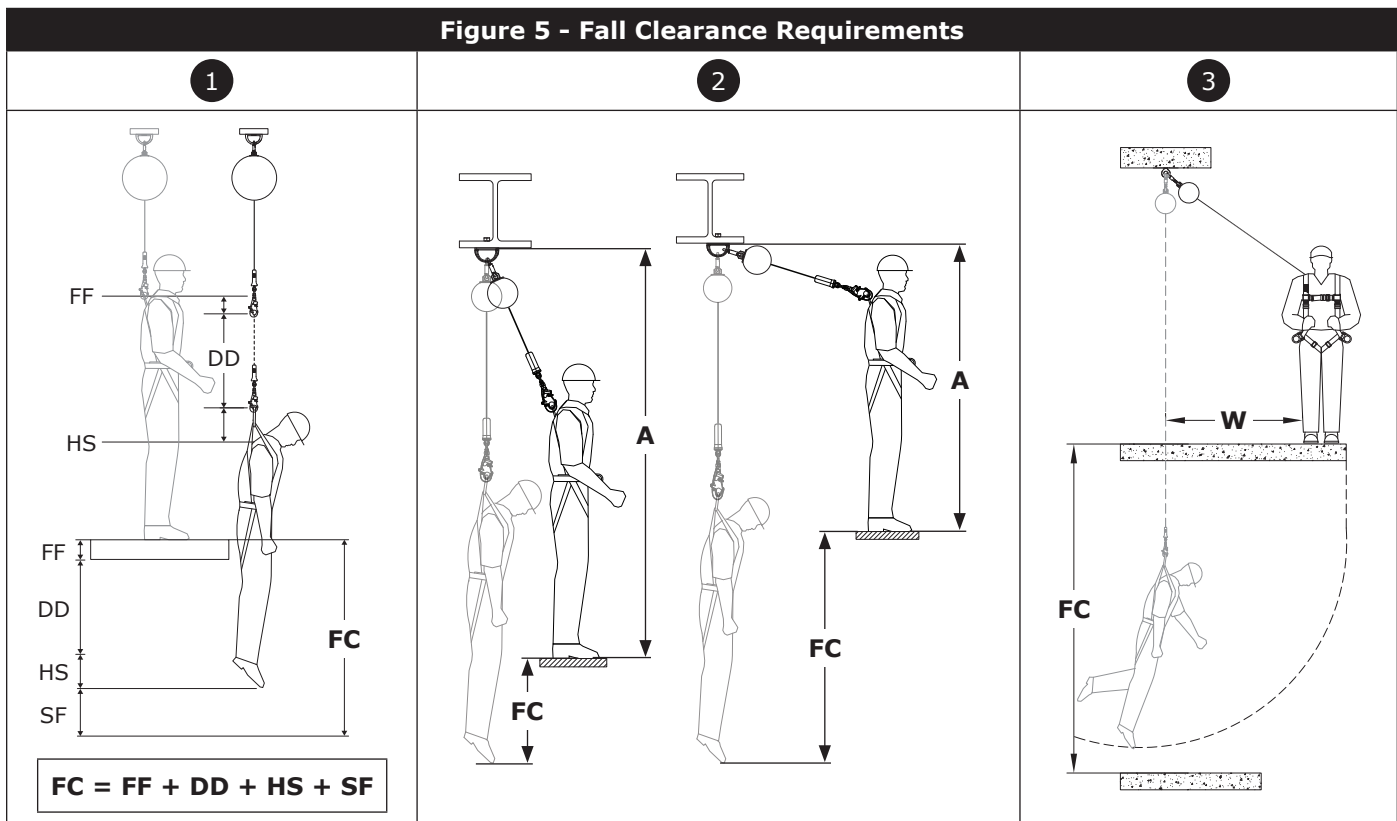
A user's **Required Fall Clearance (FC)** is the sum of **Free Fall (FF)**, **Deceleration Distance (DD)**, **Harness Stretch (HS)**, and a **Safety Factor (SF)**. See Figure 5.1 for reference.

- **Free Fall (FF)** is the distance the user travels before activation of the deceleration device.
- **Deceleration Distance (DD)** is the distance the user falls measured from activation of the deceleration device until stopping.
- **Harness Stretch (HS)** is the amount of slack extending from the user's harness when the user is suspended by their harness attachment element.
- **Safety Factor (SF)** is a set amount of distance added to fall clearance to ensure user safety.

There may be additional factors affecting Required Fall Clearance within your Fall Arrest system, such as D-ring extension length and anchorage deflection. For coverage of these factors, and others not outlined above, refer to the manufacturer instructions for each component of your Fall Arrest system. Additional factors, when provided, should be added to the fall clearance values in this instruction.

B. MINIMIZING REQUIREMENTS: The user should always position their Fall Arrest system to minimize fall potential and potential fall distance. To keep fall clearance requirements to a minimum, it is recommended that the user work as directly below their anchorage point as possible.

- **ANCHORAGE HEIGHT:** The Required Fall Clearance (FC) for a user increases as Anchorage Height (A) decreases. The user experiences a greater amount of free fall when connected to an anchorage point below them, since the user will have to travel that much farther should they fall. See Figure 5.2 for reference.
- **SWING FALLS:** The Required Fall Clearance (FC) for a user increases as User Work Radius (W) increases. Swing falls occur when the anchorage point is not directly above the user when a fall occurs. See Figure 5.3 for reference.

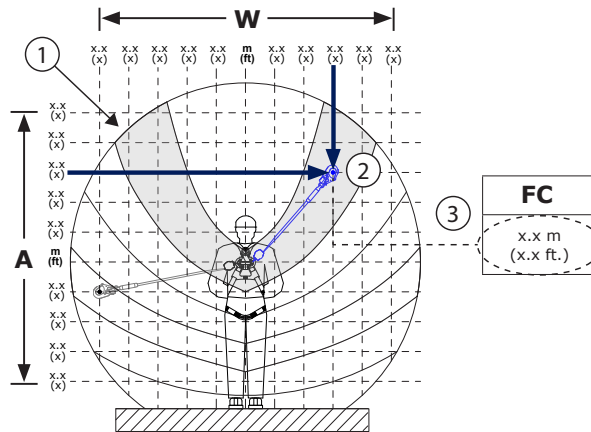


FALL CLEARANCE CHARTS

Required Fall Clearance has been provided within the charts below. To determine Required Fall Clearance:

- 1. Select the appropriate fall clearance chart.** Your selected chart must match your product type, fit your combined weight (including clothing, tools, etc.), and meet any other specified restrictions.
- 2. Locate your connector in the chart.** From your mounted SRD, measure the Anchorage Height (A) and Maximum Work Radius (W) for your connector's anchor point. Place your connector where these intersect in the chart.
- 3. Find your Required Fall Clearance (FC).** Locate the chart area for your connector's location, then locate the required fall clearance for that area.

If you are using a twin-SRD model, you must always use the fall clearance requirement for your anchored connector. See Section 4 for more information on using twin-SRD models.



A Safety Factor of 1.5 ft. (0.5 m) and a user height of 6 ft. (1.8 m) were used for all values listed. Kneeling or crouching will reduce the position of the user above the platform and will require an additional 3.25 ft. (1.0 m) of fall clearance.

Required Fall Clearance is calculated with the assumption that each leg of the SRD is extended a minimal distance behind the user, from wherever they may be positioned in the chart. The assumption of minimum setback distance ensures the user has enough fall clearance regardless of their actual setback distance.

Never secure your connector within chart areas marked by cross hatching or crossed-out table cells.

Fall Clearance Chart #1: 130 lb. - 220 lb. (59 kg - 100 kg)

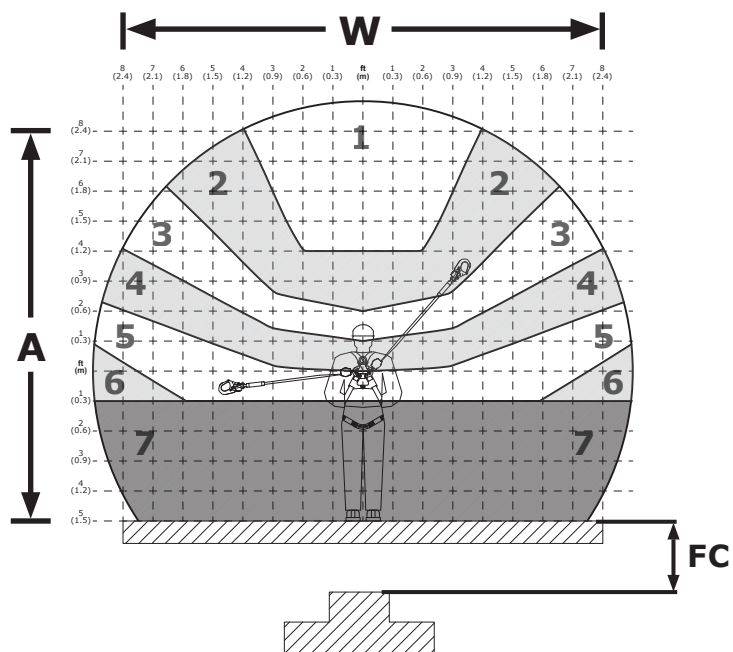


Chart Area						
1	2	3	4	5	6	7
6.0 ft. (1.8 m)	7.0 ft. (2.1 m)	9.0 ft. (2.7 m)	11.0 ft. (3.4 m)	12.0 ft. (3.7 m)	14.0 ft. (4.3 m)	Do not connect in this area.
Fall Clearance (FC)						

Key
A = Anchorage Height
W = Maximum Work Radius
FC = Required Fall Clearance

Fall Clearance Chart #2: 221 lb. - 310 lb. (101 kg - 140 kg)

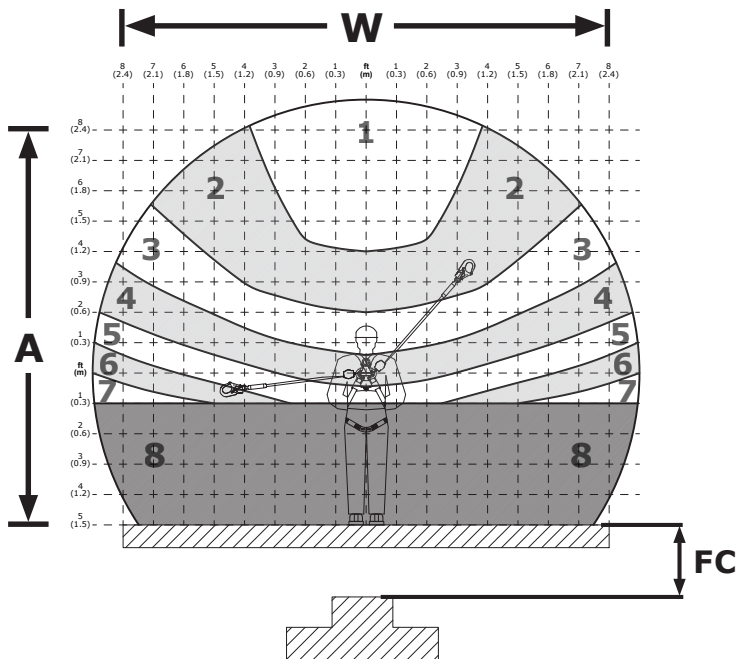


Chart Area							
1	2	3	4	5	6	7	8
7.0 ft. (2.1 m)	9.0 ft. (2.7 m)	11.0 ft. (3.4 m)	13.0 ft. (4.0 m)	15.0 ft. (4.6 m)	16.0 ft. (4.9 m)	18.0 ft. (5.5 m)	Do not connect in this area.
Fall Clearance (FC)							

Key
A = Anchorage Height
W = Maximum Work Radius
FC = Required Fall Clearance

Fall Clearance Chart #3: 311 lb. - 420 lb. (141 kg - 191 kg)

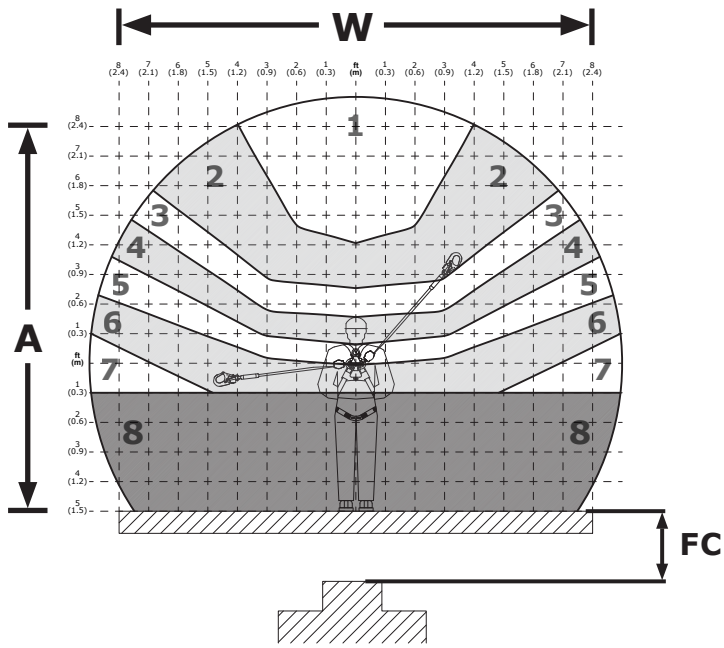
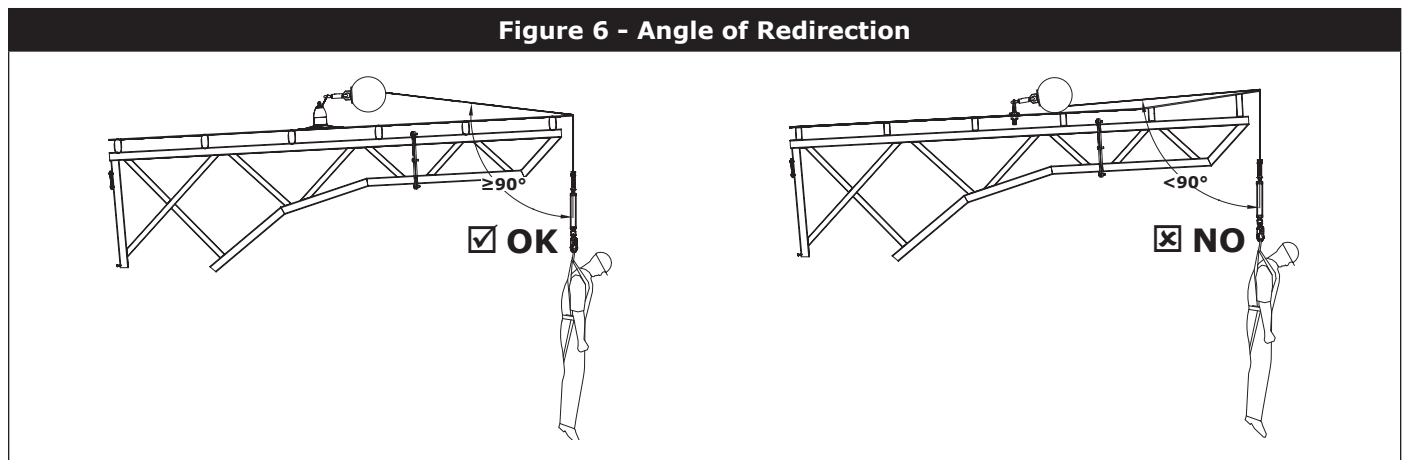


Chart Area							
1	2	3	4	5	6	7	8
8.0 ft. (2.4 m)	10.0 ft. (3.0 m)	12.0 ft. (3.7 m)	14.0 ft. (4.3 m)	16.0 ft. (4.9 m)	18.0 ft. (5.5 m)	20.0 ft. (6.1 m)	Do not connect in this area.
Fall Clearance (FC)							

Key
A = Anchorage Height
W = Maximum Work Radius
FC = Required Fall Clearance

- 3.4 FALL CLEARANCE FOR LEADING EDGE:** The SRD models covered by this instruction include models made for use with leading edges. Self-Retracting Devices with Leading Edge capabilities (SRD-LEs) must be used in applications where the SRD or its lifeline may come into contact with the leading edge. Do not use any other SRD type in these applications.
- A. PRECAUTIONS:** SRD-LEs have a number of unique precautions that must be observed during use. When planning use of an SRD-LE, consider all requirements for SRD-LEs specified in these instructions.
- Users must observe the capacity requirements specified for SRD-LE models in Table 1.
 - The SRD-LE must be installed so that, in the event of a fall, the lifeline does not pass over the leading edge at an angle less than 90 degrees. See Figure 6 for reference.
 - Install the anchorage point at the same height of or above the edge where a fall might occur. Anchorage points below the edge are dangerous because they cause the lifeline to redirect at an angle less than 90 degrees. See Figure 6 for reference.
 - Do not work on the far side of an opening opposite the anchorage point.
 - Use of SRD-LEs may require special rescue procedures.
 - Never use a D-ring extension with SRD-LEs in leading edge applications.
- B. SHARP EDGE TESTS:** The SRD-LE models covered in this instruction have been successfully tested for horizontal use and for falls over a steel edge without burrs. As a result, these SRD-LE models may be used in similar situations. All requirements for use of these models must be observed, including required setback distances. Although SRD-LEs are more resistant than SRDs, the user should still, when possible, avoid working where the lifeline will continuously or repeatedly scrape against sharp edges and abrasive surfaces.
- C. FALL CLEARANCE REQUIREMENTS:** SRD-LE models have their own fall clearance requirements that must be observed. The SRD-LE fall clearance charts must be used for leading edge applications instead of the standard fall clearance charts. Use of the SRD-LE fall clearance charts is not a replacement for use of an SRD-LE.



FALL CLEARANCE CHARTS - LEADING EDGE DEVICES (SRD-LE)

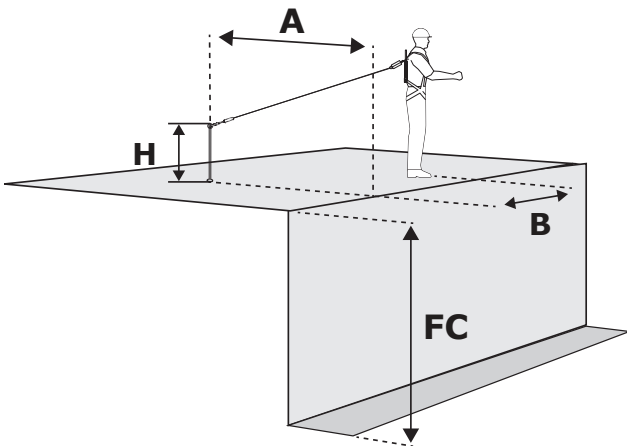
Required Fall Clearance has been provided within the charts below. To determine Required Fall Clearance:

1. Select the clearance chart that matches your product type and fits your situation. Your combined weight must fit within the capacity range of the selected chart. Your anchor point must also meet the chart's Anchorage Height (H) requirements.
2. Determine the Setback Distance (A) of your subsystem. Setback Distance is measured from your anchorage connection point to the edge of the working platform.
3. Determine the Horizontal Distance (B) of your subsystem. Horizontal Distance is measured from the point on the edge directly opposite your anchorage connection point to the point on the edge that equals the furthest extent of your work area.
4. After obtaining your Setback Distance (A) and Horizontal Distance (B), use (A) and (B) within the Fall Clearance Chart to determine your Required Fall Clearance (FC).

When values for (A) and (B) measured by the user do not match those listed in the table, the user should round up to the next highest listed value. If there is no higher listed value, then the user should reduce their intended Anchorage Height or Setback Distance to a lower value.

To determine the fullest extent of the user's work radius, it may be necessary to repeat these steps for each leading edge the user will be near.

FALL CLEARANCE CHARTS - LEADING EDGE DEVICES (SRD-LE)



Key

A = Setback Distance
 B = Horizontal Distance
 H = Anchorage Height
 FC = Required Fall Clearance

USER CAPACITY: 130 lb. - 220 lb. (59 kg - 100 kg)

1. FALL CLEARANCE CHART #1: Single-SRD and Twin-SRD Models

- **Anchorage Height (H):** 3 ft. (0.9 m) or greater

Chart 1		B						
		0 ft. (0 m)	1 ft. (0.3 m)	2 ft. (0.6 m)	3 ft. (0.9 m)	4 ft. (1.2 m)	5 ft. (1.5 m)	6 ft. (1.8 m)
A	3 ft. (0.9 m)	11.0 ft. (3.4 m)	10.7 ft. (3.3 m)	10.9 ft. (3.3 m)	11.1 ft. (3.4 m)	11.4 ft. (3.5 m)	11.7 ft. (3.6 m)	12.0 ft. (3.7 m)
	4 ft. (1.2 m)	10.0 ft. (3.0 m)	10.2 ft. (3.1 m)	10.4 ft. (3.2 m)	10.6 ft. (3.2 m)	10.9 ft. (3.3 m)	11.2 ft. (3.4 m)	11.5 ft. (3.5 m)
		FC						

2. **FALL CLEARANCE CHART #2:** Single-SRD Models

- **Anchorage Height (H):** Less than 3 ft. (0.9 m)

Chart 2		B					
		0 ft. (0 m)	1 ft. (0.3 m)	2 ft. (0.6 m)	3 ft. (0.9 m)	4 ft. (1.2 m)	5 ft. (1.5 m)
A	4 ft. (1.2 m)	13.0 ft. (4.0 m)	13.2 ft. (4.0 m)	13.4 ft. (4.1 m)	13.6 ft. (4.1 m)	13.8 ft. (4.2 m)	14.0 ft. (4.3 m)
	FC						

3. **FALL CLEARANCE CHART #3:** Twin-SRD Models

- **Anchor Height (H):** Less than 3 ft. (0.9 m)

Chart 3		B					
		0 ft. (0 m)	1 ft. (0.3 m)	2 ft. (0.6 m)	3 ft. (0.9 m)	4 ft. (1.2 m)	5 ft. (1.5 m)
A	4 ft. (1.2 m)	13.5 ft. (4.1 m)	13.7 ft. (4.2 m)	13.9 ft. (4.2 m)	14.1 ft. (4.3 m)	14.3 ft. (4.4 m)	14.5 ft. (4.4 m)
	FC						

USER CAPACITY: 221 lb. - 310 lb. (101 kg - 140 kg)

4. **FALL CLEARANCE CHART #4:** Single-SRD and Twin-SRD Models

- **Anchor Height (H):** 3 ft. (0.9 m) or greater

Chart 4		B						
		0 ft. (0 m)	1 ft. (0.3 m)	2 ft. (0.6 m)	3 ft. (0.9 m)	4 ft. (1.2 m)	5 ft. (1.5 m)	6 ft. (1.8 m)
A	3 ft. (0.9 m)	13.0 ft. (4.0 m)	13.3 ft. (4.1 m)	13.7 ft. (4.2 m)	14.0 ft. (4.3 m)	14.3 ft. (4.4 m)	14.7 ft. (4.5 m)	15.0 ft. (4.6 m)
	4 ft. (1.2 m)	12.5 ft. (3.8 m)	12.8 ft. (3.9 m)	13.2 ft. (4.0 m)	13.5 ft. (4.1 m)	13.8 ft. (4.2 m)	14.2 ft. (4.3 m)	14.5 ft. (4.4 m)
FC								

5. **FALL CLEARANCE CHART #5:** Single-SRD Models

- **Anchor Height (H):** Less than 3 ft. (0.9 m)

Chart 5		B					
		0 ft. (0 m)	1 ft. (0.3 m)	2 ft. (0.6 m)	3 ft. (0.9 m)	4 ft. (1.2 m)	5 ft. (1.5 m)
A	4 ft. (1.2 m)	14.5 ft. (4.4 m)	15.0 ft. (4.6 m)	15.5 ft. (4.7 m)	16.0 ft. (4.9 m)	16.5 ft. (5.0 m)	17.0 ft. (5.2 m)
	FC						

6. **FALL CLEARANCE CHART #6:** Twin-SRD Models

- **Anchor Height (H):** Less than 3 ft. (0.9 m)

Chart 6		B					
		0 ft. (0 m)	1 ft. (0.3 m)	2 ft. (0.6 m)	3 ft. (0.9 m)	4 ft. (1.2 m)	5 ft. (1.5 m)
A	4 ft. (1.2 m)	15.0 ft. (4.6 m)	15.5 ft. (4.7 m)	16.0 ft. (4.9 m)	16.5 ft. (5.0 m)	17.0 ft. (5.2 m)	17.5 ft. (5.3 m)
	FC						

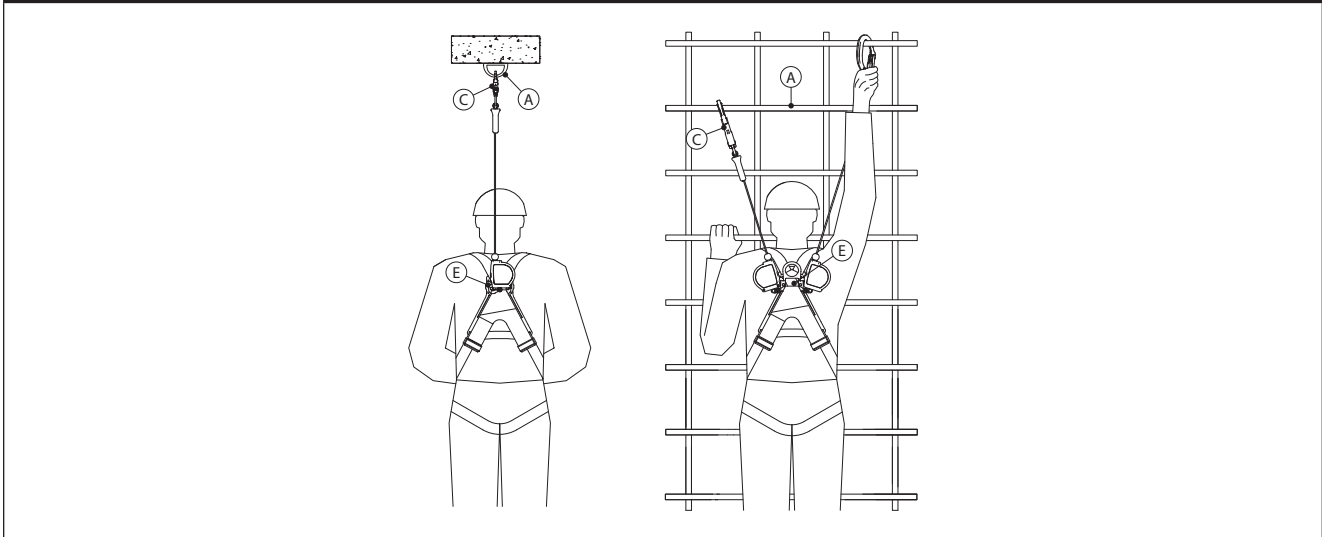
3.5 CONNECTING TO ANCHORAGE: Figure 7 illustrates typical SRD anchorage connections. The Anchorage (A) should be directly overhead to minimize free fall and swing fall hazards (see Section 3.3.B). Select an anchorage capable of sustaining the static loads defined in Table 1. Depending on system and product configuration, the SRD may be mounted on the anchorage point or on the user's full body harness.

Large-throat snap hooks must never be secured to D-rings or other connecting elements unless they have a gate strength of 16 kN (3,600 lbf) or greater.

A. HARNESS MOUNTING: Harness-mounted SRDs are secured to the full body harness directly by their Harness Interface (E). The user then secures to anchorage connection points using their Bottom Connectors (C). Twin-SRD models enable the user to maintain 100-percent tie-off when transferring between anchorage points.

Always ensure that you are appropriately securing and anchoring your SRD. Some SRD models may have anchorage height restrictions. See the fall clearance charts for more information on these restrictions, if present.

Figure 7 - Connecting to Anchorage



3.6 INSTALLING A HARNESS-MOUNTED SELF-RETRACTING DEVICE: Single- and Twin-SRD models with harness web interfaces as their top connector may be installed directly onto the user's full body harness. This format enables easier transportation of the SRD and ensures that the SRD is within reach when moving between anchorage points. The methods for mounting an SRD on a harness vary with SRD model and the interface provided.

Harness interfaces may also be used in coordination with specific features of full body harnesses to secure the Single- or Twin-SRD to the harness. Examples include the pSRD Link and the molded X100 SRD Interface Loop present on some 3M harness models. The following instructions provide a general method for how each harness interface should be used. See the manufacturer instructions of your full body harness for more information on specific features for interfacing with SRDs.

A. INTEGRAL HARNESS INTERFACE: See Figure 8 for reference. These instructions apply to the integral harness interface (9513488) for these SRD models.

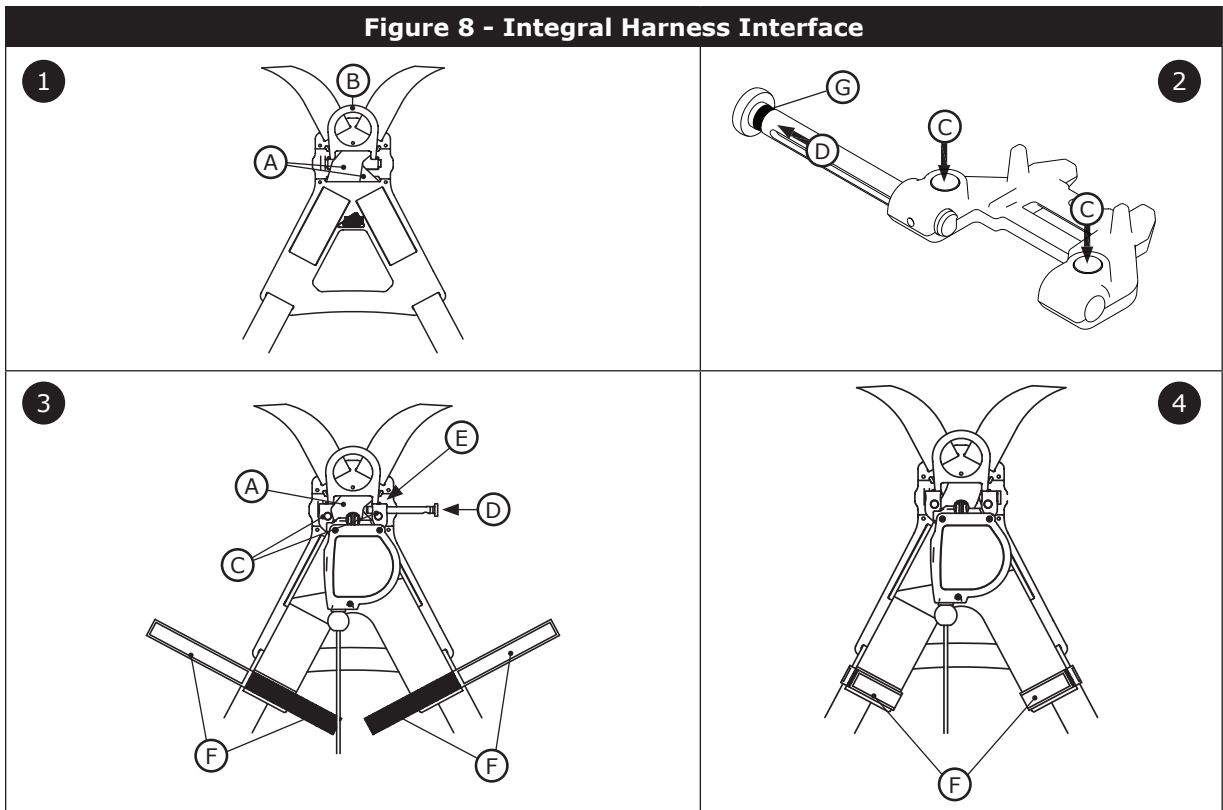
1. Loosen the harness webbing. Pull out on both Shoulder Straps (A) where they pass through the bottom of the Dorsal D-Ring (B) until there is sufficient space to slide the locking pin between the Shoulder Straps and Back Pad.
2. Open the harness interface. Push down on the Locking Buttons (C) simultaneously and slide the Locking Pin (D) out.

Both locking pins must be fully depressed to allow the locking pin to slide out. To slide the locking pin open, apply firm pressure to both locking buttons with the thumbs while simultaneously pulling on the locking pin head with an index finger.

3. Insert the locking pin through the shoulder straps. With the Locking Buttons (C) facing out and locking pin facing up, insert the Detent Pin (D) of the Harness Interface (E) behind both Shoulder Straps (A) and lock in place. Pull the shoulder straps back through the dorsal D-ring and back pad to remove slack.
4. Connect hook and loop straps around the shoulder straps. Open the Hook and Loop Straps (F) located on the bottom of the energy absorber pack. Wrap the hook and loop straps around the shoulder straps and secure.

The red band (G) on the knob end of the locking pin will be exposed if the harness interface is unlocked. To avoid accidental release, always make sure the harness interface is locked before using the harness and attached SRD. Failure to do so could result in injury or death.

Figure 8 - Integral Harness Interface



3.7 CONNECTING TO ANCHORAGE USING TIE-BACK CONNECTORS: Tie-back connectors are unique connectors that may be secured to their own webbing for the purpose of wrapping around an anchorage structure. See Figure 9 for reference. To secure a tie-back connector:

The tie-back connection must remain secure around the anchorage structure during use. The anchorage structure must be horizontal or arranged in a way to prevent slipping. There must be no gaps or open ends on the structure that could cause the connection to slip off the structure.

The anchorage structure to which the tie-back connection is secured must meet the anchorage requirements defined in Table 1.

1. Place the webbing of the connecting leg over the anchorage structure (A). Ensure the connecting leg is not twisted.
2. Wrap the connecting leg around the anchorage structure once, then complete the wrap by securing the Tie-Back Connector (B) onto its own Connecting Leg (C).

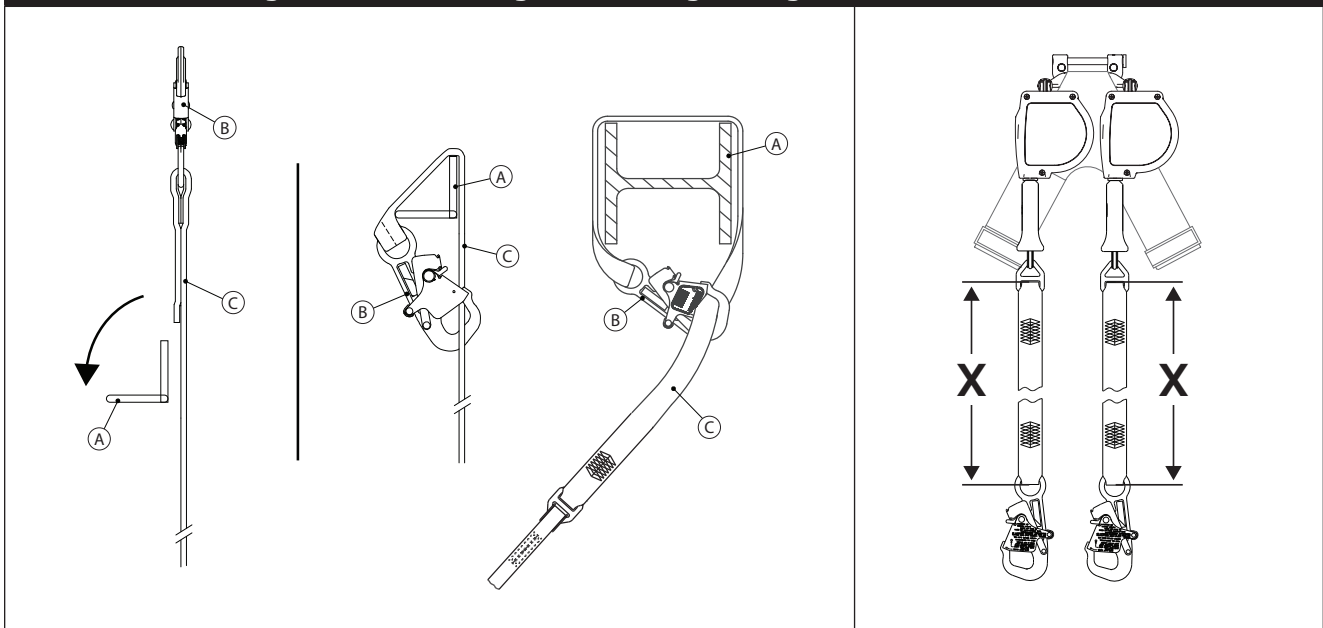
The connecting leg may wrap around the anchorage structure multiple times, but the tie-back connector must only be secured around one layer of the connecting leg.

The tie-back connector must only be secured to its own connecting leg. Do not secure tie-back connectors to other connecting subsystem legs or to other lengths of webbing.

3. Pull the connecting leg to ensure it is wrapped around the anchorage structure tightly.

Always ensure that the tie-back connector remains on the portion of the connecting leg reserved for securing tie-back connectors (X). If the connector does not remain on this portion, then you must secure to a different anchorage structure for tie-off.

Figure 9 - Connecting to Anchorage Using Tie-Back Connectors



4.0 USE

- 4.1 BEFORE EACH USE:** Verify that your work area and Fall Protection system meet all criteria defined in these instructions. Verify that a formal Rescue Plan is in place. Inspect the product per the 'User' inspection points defined in the "Inspection and Maintenance Log". If inspection reveals an unsafe or defective condition, or if there is any doubt about its condition for safe use, remove the product from service immediately. Clearly tag the product "DO NOT USE". See Section 5 for more information.
- 4.2 AFTER A FALL:** If this equipment is subjected to fall arrest or impact force, remove it from service immediately. Clearly tag it "DO NOT USE". See Section 5 for more information.
- 4.3 OPERATION:** Before using an SRD, the worker will need to secure the SRD to an anchorage connection point and an attachment element on their full body harness. Once secured, the worker may move within the established safe working area at normal speeds. During use, always allow the SRD lifeline to recoil back into the device under control.
- 4.4 TAGLINES:** Depending on the worksite and system configuration, the user may not always be able to reach the SRD at its anchor point. In these situations, a tagline may be necessary. A tagline is a long piece of cord that loops through the bottom connector of the SRD before looping back in on itself. When connected in this way, the user can raise or lower the bottom connector of the SRD to their location by pulling on the tagline.

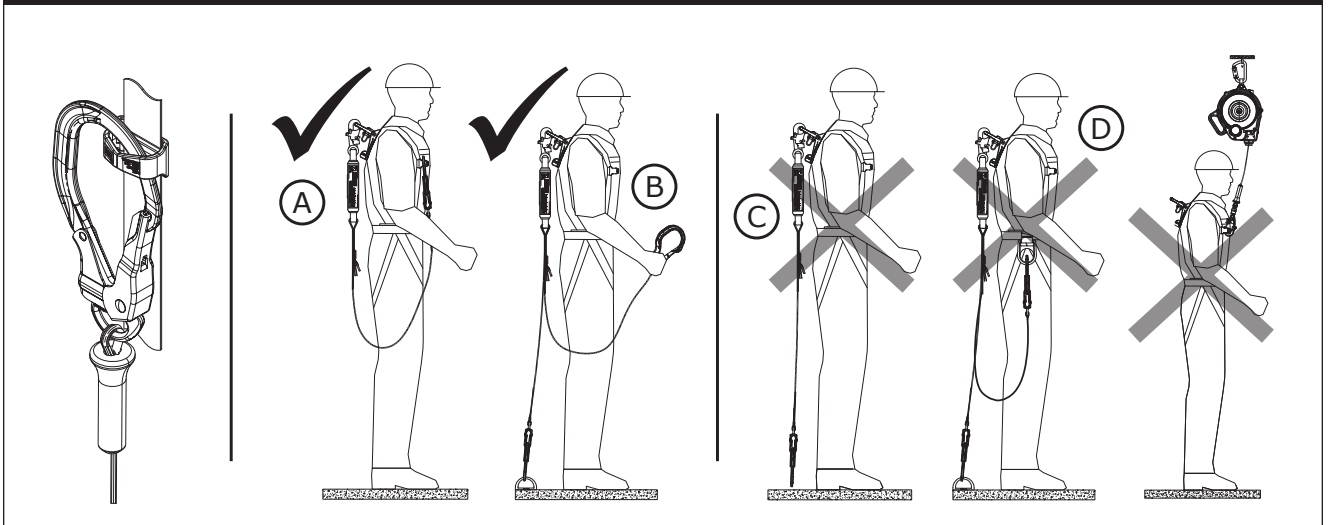
Ensure the free end of the tagline does not become entangled with other workers, equipment, or machinery. If necessary, restrain the free end of the tagline.

- 4.5 LANYARD PARKING ATTACHMENT:** When not in use, the free end of a lanyard or harness-mounted Self-Retracting Device (SRD) must be secured to the lanyard parking attachment on the user's harness (A) or be held securely within the user's hand (B). See Figure 10 for reference.

The free end of a connecting subsystem must always be properly secured. Never allow free ends to hang freely (C) and never secure free ends to an unused attachment element on the user's harness (D). Both of these situations could create a trip hazard or cause the user to become entangled.

Never use lanyard parking attachments as attachment elements for Fall Protection applications.

Figure 10 – Lanyard Parking Attachment

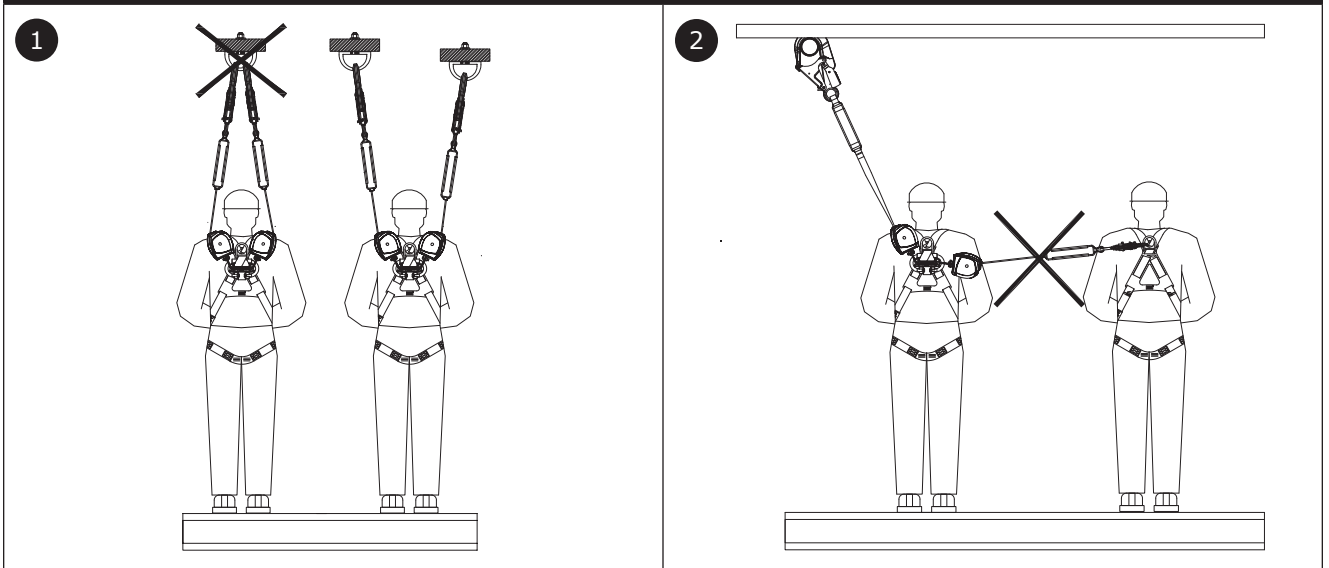


4.6 USING TWIN-SRD MODELS: Twin-SRD models, when mounted on a harness, may be used for Fall Arrest or Restraint applications. Additionally, Twin-SRDs may be used for climbing applications, such as ascending or descending a rebar structure. Twin-SRDs enable the user to maintain 100-percent tie-off when moving between anchorage points. As long as one SRD is secured to an anchorage point, the user may disconnect the other SRD and move it to a different anchorage point. By disconnecting and reconnecting each SRD in turn, the user may travel along a surface and still maintain tie-off during movement.

The user must always consider the following before using a Twin-SRD:

- When in the vicinity of a fall hazard, the user must always have at least one SRD connected to an anchorage point. Never connect both SRDs to the same anchorage point. See Figure 11.1 for reference.
- Never permanently secure both SRDs to anchorage points simultaneously. Twin connections should only be made for the purpose of maintaining 100-percent tie-off.
- Each individual anchorage point must be strong enough to meet the anchorage requirements listed in Table 1.
- The individual SRDs must only be used to secure to anchorage points. Never secure two workers via the same system. See Figure 11.2 for reference.
- The lifeline of each SRD must always be kept free from obstructions and entanglement. Do not pass either SRD under arms or between legs during use.

Figure 11 - Using Twin-SRD Models



4.7 USE WITH HORIZONTAL SYSTEMS: The SRDs covered in this instruction are compatible for use with horizontal systems, such as Horizontal Lifeline (HLL) systems and horizontal rail systems. See the manufacturer instructions of your horizontal system for more information on its compatibility with SRDs. SRDs may be used with a horizontal system only if both products allow for such use.

Required Fall Clearance values presented in these instructions are based on use with a rigid, stationary anchorage point. These values do not apply when the product is used with a Horizontal Lifeline (HLL) system. See the manufacturer instructions of your HLL system for fall clearance charts specific to that system, or for additional factors that must be accounted for before using the charts in these instructions.

5.0 INSPECTION

After equipment has been removed from service, it may not be returned to service until a Competent Person confirms in writing that it is acceptable to do so.

- 5.1 INSPECTION FREQUENCY:** The product shall be inspected before each use by a user and, additionally, by a Competent Person other than the user at intervals of no longer than one year. A higher frequency of equipment use and harsher conditions may require increasing the frequency of Competent Person inspections. The frequency of these inspections should be determined by the Competent Person per the specific conditions of the worksite.
- 5.2 INSPECTION PROCEDURES:** Inspect this product per the procedures listed in the "Inspection and Maintenance Log". Documentation of each inspection should be maintained by the owner of this equipment. An inspection and maintenance log should be placed near the product or be otherwise easily accessible to users. It is recommended that the product is marked with the date of next or last inspection.
- 5.3 DEFECTS:** If the product cannot be returned to service because of an existing defect or unsafe condition, or because the product has been exposed to fall arrest or impact force, then the product must be destroyed.
- 5.4 PRODUCT LIFE:** The functional life of the product is determined by work conditions and maintenance. As long as the product passes inspection criteria, it may remain in service.

6.0 MAINTENANCE, STORAGE, AND REPAIR

Equipment that is in need of maintenance or scheduled for maintenance should be tagged "DO NOT USE". These equipment tags should not be removed until maintenance is performed.

- 6.1 CLEANING:** Periodically clean the lifeline and the exterior of the product with water and a mild soap solution. Rinse the product thoroughly and air dry. Clean labels as necessary. For more information, please refer to the technical bulletin on our website: <https://www.3M.com/FallProtection/Mechanical-Device-Cleaning>
- 6.2 DISPOSAL:** Cut or otherwise disable the lifeline, then dispose of the product appropriately.
- 6.3 REPAIR:** This product is not repairable. Do not attempt to repair this product.
- 6.4 STORAGE AND TRANSPORT:** Store and transport the product in a cool, dry, clean environment out of direct sunlight. Avoid areas where chemical vapors may exist. Thoroughly inspect components after extended storage.

7.0 LABELS and MARKINGS

7.1 SUMMARY: The “Product Labels” figure illustrates labels and markings present on the product. See below for a summary of information provided with each label and marking.

Label images are intended to be representative. Please refer to your product labels for specific information.

Missing or damaged labels must be replaced. All labels must be fully legible.

A	Logo Label (Edge Certified)
B	Fall Clearance Label and Markings (Single Models)
C	Fall Clearance Label and Markings (Twin Models)
D	Product Specifications and Use Label

8.0 RFID Tag

8.1 LOCATION: 3M product covered in these user instructions is equipped with a Radio Frequency Identification (RFID) Tag. RFID Tags may be used in coordination with an RFID Tag Scanner for recording product inspection results. See “RFID Tag Location” for where your RFID Tag is located.

8.2 DISPOSAL: Prior to disposing of this product, remove the RFID Tag and dispose/recycle in accordance with local regulations. For more information, please visit our website: <http://www.3M.com/FallProtection/RFID>

9.0 GLOSSARY OF TERMS

9.1 DEFINITIONS: The following terms and definitions are used in these instructions.

For a comprehensive list of terms and definitions, please visit our website: www.3m.com/FallProtection/ifu-glossary

- **AUTHORIZED PERSON:** A person assigned by the employer to perform duties at a location where the person will be exposed to a fall hazard.
- **COMPETENT PERSON:** One who is capable of identifying existing and predictable hazards in the surroundings or working conditions which are unsanitary, hazardous, or dangerous to employees, and who has authorization to take prompt corrective measures to eliminate them.
- **FALL ARREST SYSTEM:** A collection of Fall Protection equipment configured to protect the user in the event of a fall.
- **QUALIFIED PERSON:** A person with a recognized degree, certificate, or professional standing, or who by extensive knowledge, training, and experience has successfully demonstrated their ability to solve or resolve problems relating to Fall Protection and Rescue systems to the extent required by applicable national, regional, and local regulations.
- **RESCUER:** A person using the Rescue system to perform an assisted rescue.
- **RESTRAINT SYSTEM:** A collection of Fall Protection equipment configured to prevent the user from reaching a fall hazard. No free fall is permitted.
- **USER:** A person who performs activities while protected by a Fall Protection system.

Figure 12 - RFID Tag Location

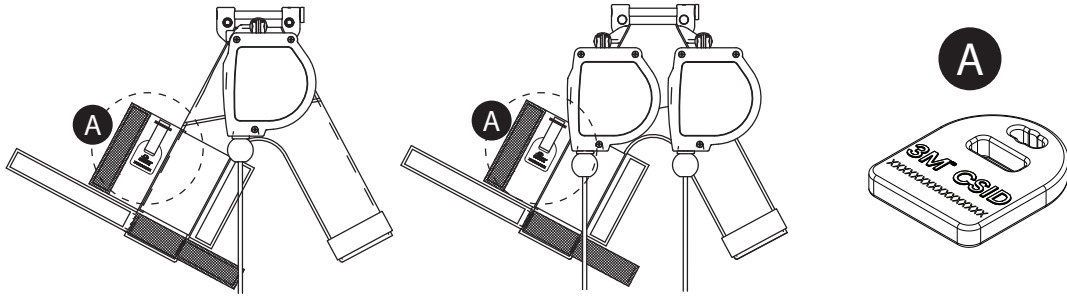


Figure 13 - Product Labels

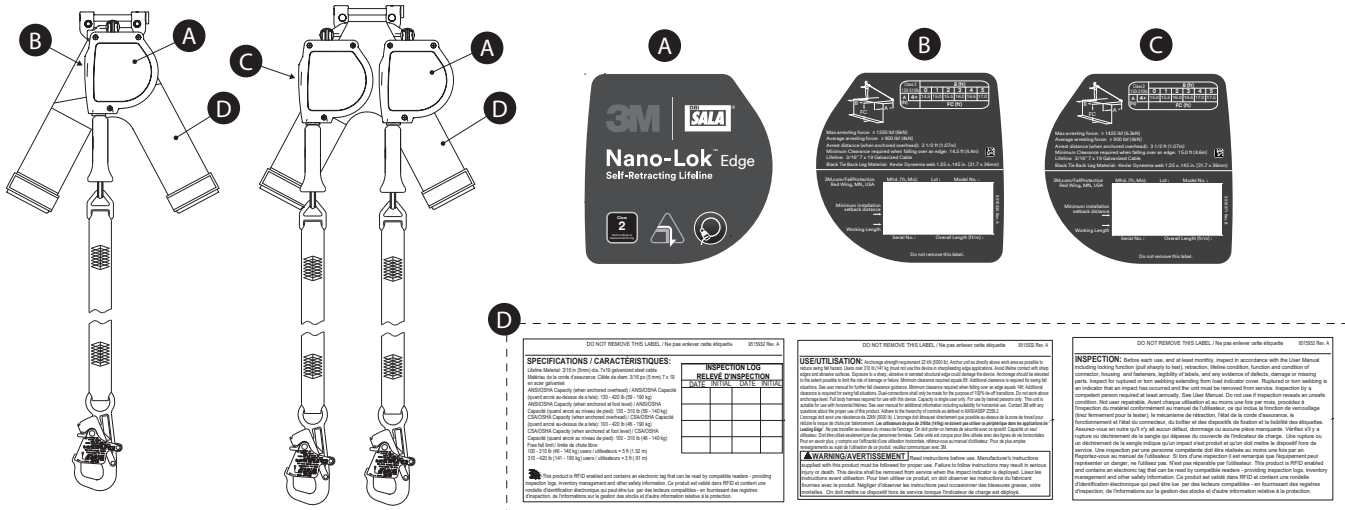


Table 2 – Inspection and Maintenance Log

Model Number (Serial Number):					
Date Purchased:			Date of First Use:		
...					
<input checked="" type="checkbox"/> <i>This product must be inspected by the user before each use. Additionally, a Competent Person other than the user must inspect this equipment at least once each year.</i>					
...					
Component	Inspection Procedure			Inspection Result	
				Pass	Fail
SRD - General (Figure 14.1)	Inspect for loose bolts and bent or damaged parts.			<input type="checkbox"/>	<input type="checkbox"/>
	Inspect Housing (A) for distortion, cracks, or other damage.			<input type="checkbox"/>	<input type="checkbox"/>
	Inspect the Swivel Eye (B) for distortion, cracks, or other damage. The Swivel Eye should be attached securely to the SRD, but should pivot freely.			<input type="checkbox"/>	<input type="checkbox"/>
	The Lifeline (C) should pull out and retract fully without hesitation or creating a slack line condition.			<input type="checkbox"/>	<input type="checkbox"/>
	Ensure device locks up when lifeline is jerked sharply. Lockup should be positive with no slipping.			<input type="checkbox"/>	<input type="checkbox"/>
	Look for signs of corrosion on the entire unit.			<input type="checkbox"/>	<input type="checkbox"/>
Connectors (Figure 14.2)	Inspect all SRD connectors for signs of damage and corrosion. Verify that all connectors are working properly. Where present: Gates (A) should open, close, lock, and unlock properly; Swivel Eyes (B) should rotate without interference; and locking buttons and pins should function correctly.			<input type="checkbox"/>	<input type="checkbox"/>
Web Lifeline (Figure 14.3)	Inspect the webbing for Cuts (A), Frays (B), broken fibers, tears, abrasion, Heavy Soiling (C), mold, Burns (D), and discoloration. Inspect the lifeline stitching for pulled or cut stitches, since broken stitches may indicate that the product has been impact-loaded and must be removed from service.			<input type="checkbox"/>	<input type="checkbox"/>
Wire Rope Lifeline (Figure 14.4)	Inspect wire rope for cuts, Kinks (A), Broken Wires (B), Bird-Caging (C), welding splatter, corrosion, chemical contact areas, or Severely-Abraded Areas (D). Slide the Lifeline Bumper (E) up and inspect the Ferrules (F) for damage. Replace the wire rope assembly if there are six or more broken wires in one revolution, or three or more broken wires in one strand in one revolution. Replace the assembly if there are any broken wires within 25 mm (1 in.) of the ferrules.			<input type="checkbox"/>	<input type="checkbox"/>
Energy Absorber Pack (Figure 15)	Inspect the energy absorber pack to verify that it has not been activated or damaged. None of the Energy Absorber Webbing (A) should be exposed or pulled out from the Energy Absorber Cover (B). The cover should be secure and free of tears (C) or other damage. The Supporting Arms (D) should be intact. If one or both supporting arms are loose and hanging below their normal position, then the product must be removed from service and destroyed.			<input type="checkbox"/>	<input type="checkbox"/>
Labels (Figure 13)	All labels are present and fully legible.			<input type="checkbox"/>	<input type="checkbox"/>
Fall Protection Equipment	Additional Fall Protection equipment that is used with the product is installed and inspected per the manufacturer instructions.			<input type="checkbox"/>	<input type="checkbox"/>
...					
<input checked="" type="checkbox"/> <i>If the product fails an inspection procedure, then the product fails overall inspection. If the product fails inspection, remove it from service immediately. Clearly tag the product "DO NOT USE". See Section 5 for more information.</i>					
...					
Inspection Type:	<input type="checkbox"/> User	<input type="checkbox"/> Competent Person	Overall Inspection Result:	<input type="checkbox"/> Pass	<input type="checkbox"/> Fail
Inspected By:			Date of Inspection:		
Signature:			Next Inspection Due:		
...					
Additional Notes:					

Figure 14 - General Inspection

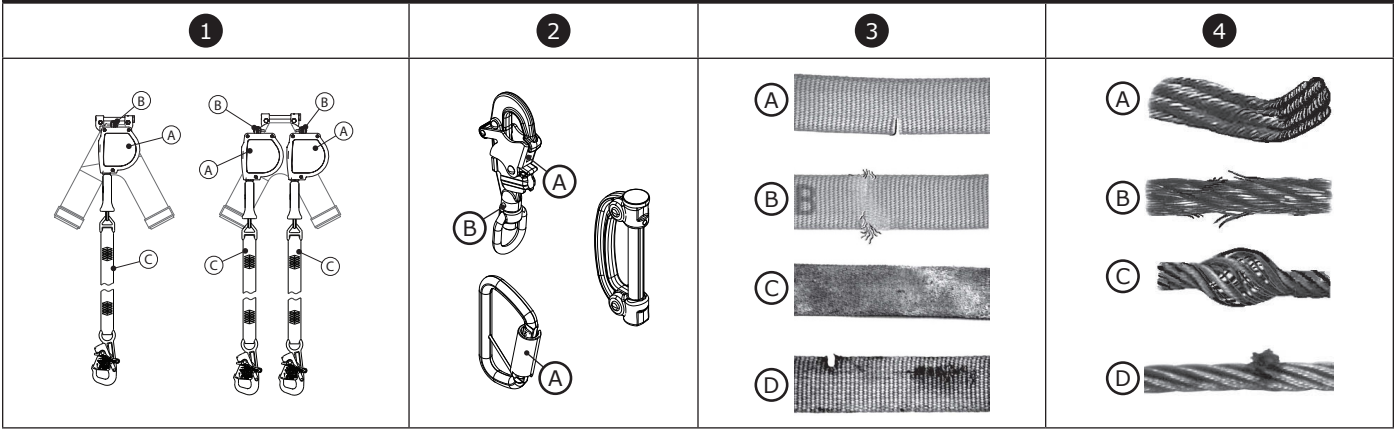
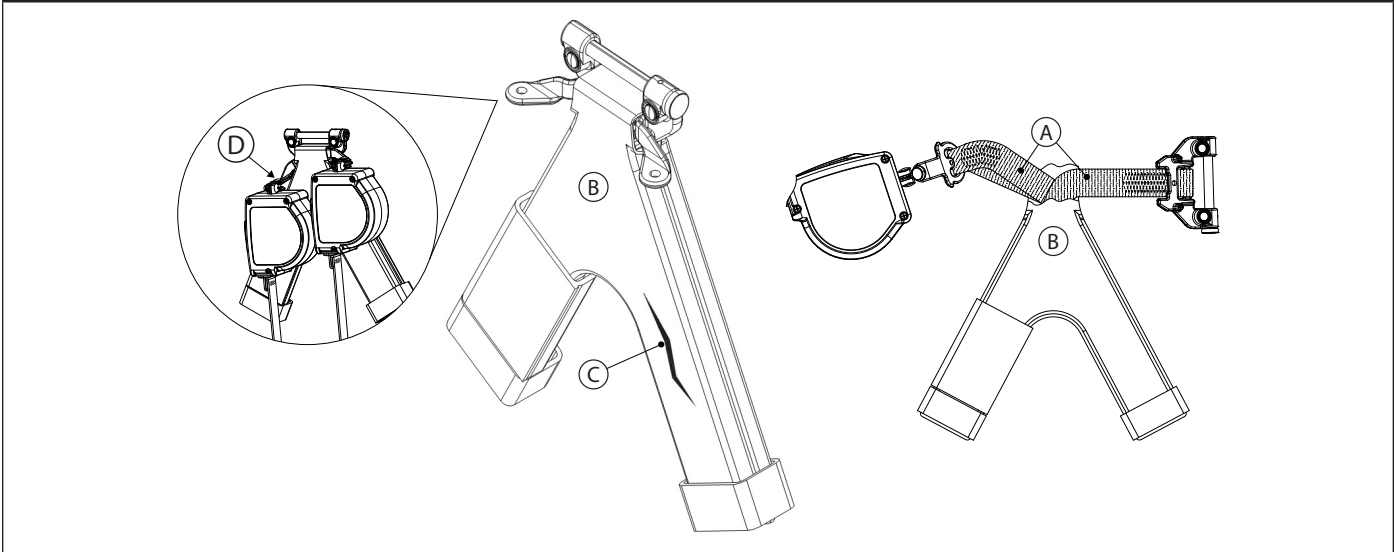


Figure 15 - Energy Absorber Pack Inspection



GLOBAL PRODUCT WARRANTY, LIMITED REMEDY AND LIMITATION OF LIABILITY

WARRANTY: THE FOLLOWING IS MADE IN LIEU OF ALL WARRANTIES OR CONDITIONS, EXPRESS OR IMPLIED, INCLUDING THE IMPLIED WARRANTIES OR CONDITIONS OF MERCHANTABILITY OR FITNESS FOR A PARTICULAR PURPOSE.

Unless otherwise provided by local laws, 3M fall protection products are warranted against factory defects in workmanship and materials for a period of one year from the date of installation or first use by the original owner.

LIMITED REMEDY: Upon written notice to 3M, 3M will repair or replace any product determined by 3M to have a factory defect in workmanship or materials. 3M reserves the right to require product be returned to its facility for evaluation of warranty claims. This warranty does not cover product damage due to wear, abuse, misuse, damage in transit, failure to maintain the product or other damage beyond 3M's control. 3M will be the sole judge of product condition and warranty options.

This warranty applies only to the original purchaser and is the only warranty applicable to 3M's fall protection products. Please contact 3M's customer service department in your region for assistance.

LIMITATION OF LIABILITY: TO THE EXTENT PERMITTED BY LOCAL LAWS, 3M IS NOT LIABLE FOR ANY INDIRECT, INCIDENTAL, SPECIAL OR CONSEQUENTIAL DAMAGES INCLUDING, BUT NOT LIMITED TO LOSS OF PROFITS, IN ANY WAY RELATED TO THE PRODUCTS REGARDLESS OF THE LEGAL THEORY ASSERTED.

3M



Fall Protection

USA

3833 SALA Way
Red Wing, MN 55066-5005
Toll Free: 800.328.6146
Phone: 651.388.8282
Fax: 651.388.5065
3Mfallprotection@mmm.com

Canada

600 Edwards Blvd, Unit #2
Mississauga, ON L5T 2V7
Phone: 905.795.9333
Toll-Free: 800.387.7484
Fax: 888.387.7484
3Mfallprotection-ca@mmm.com

Brazil

Rodovia Anhanguera, km 110
Sumaré - SP
CEP: 13181-900
Brasil
Phone: 0800-013-2333
falecoma3m@mmm.com

Mexico

Av. Santa Fe No. 190
Col. Santa Fe, Ciudad de Mexico
CP 01219, Mexico
Phone: 01 800 120 3636
3msaludocupacional@mmm.com

EMEA (Europe, Middle East, Africa)

EMEA Headquarters:
Le Broc Center
Z.I. 1re Avenue - BP15
06511 Carros Le Broc Cedex
France
Phone: + 33 04 97 10 00 10
Fax: + 33 04 93 08 79 70
informationfallprotection@mmm.com

United Kingdom

3M Centre
Cain Road
Bracknell, RG12 8HT
Phone: 0870 60800 60
www.3M.co.uk/construction

Slovakia

Capital Safety Group - Banská
Bystrica, s.r.o.
Jegorovova 35
974 01 Banská Bystrica
Slovak Republic
Phone: + 421 (0)47 00 330
Fax: + 421 (0)47 00 336
informationfallprotection@mmm.com

Australia & New Zealand

137 McCredie Road
Guildford
Sydney, NSW, 2161
Australia
Toll-Free : 1800 245 002 (AUS)
Toll-Free : 0800 212 505 (NZ)
3msafetyauucs@mmm.com

Asia

Singapore:
1 Yishun Avenue 7
Singapore 768923
Phone: +65-6450 8888
Fax: +65-6552 2113
TotalFallProtection@mmm.com

China:

38/F, Maxdo Center, 8 Xing Yi Rd
Shanghai 200336, P R China
Phone: +86 21 62753535
Fax: +86 21 52906521
3MFallProtection-CN@mmm.com

Korea:

3M Korea Ltd
18F, 82 Uisadang-daero,
Yeongdeungpo-gu, Seoul
Phone: +82-80-033-4114
Fax: +82-2-3771-4977
3msupport.kr@mmm.com

Japan:

3M Japan Ltd
6-7-29, Kitashinagawa, Shinagawa-ku,
Tokyo
Phone: +81-570-011-321
Fax: +81-3-6409-5818
psd.jp@mmm.com

WEBSITE:
3M.com/FallProtection



DECLARATION OF CONFORMITY:
3M.com/FallProtection/DOC

(European Union and United Kingdom)